

# SF300

## IP based Fingerprint Access Control & Time Attendance



The SF300 is an IP based fingerprint terminal works both in network and standalone modes. In network mode, it can connect with ZKAccess3.5 software for access control and time attendance management.

Wiegand output makes SF300 flexible to connect with ZK or any 3rd party controllers as a slave reader, additionally wiegand input allows two units of SF300 to configure with each other and utilize Master & Slave solution, which requires user verification at both entrance and exit. Meanwhile, anti-passback function could be used to maximize the security.

Auxiliary input interface allows SF300 to connect with an external source, for instance a smoke detector or emergency switch. Once the linkage function is enabled through the machine menu, the device would generate an alarm signal and open the door in case of emergency.

---

### Feature

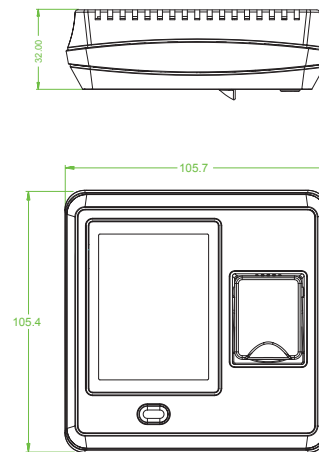
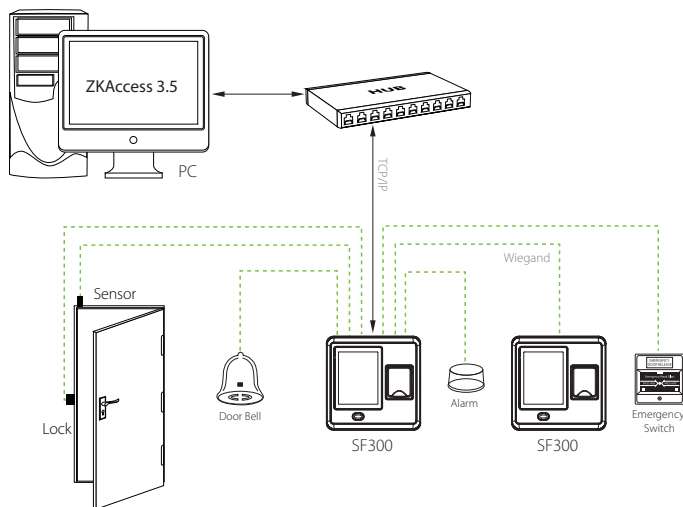
- 2.8-inch touch screen, color display with graphical UI for easy operation
- Up to 24 user-defined schedules that can activate on a daily bell alert (optional)
- Voice prompt for acceptance and rejection of valid/invalid fingers
- Compact and Lightweight, small size for 86 x 86mm socket installation
- TCP/IP or RS485 communication for various networking environments
- Supports USB flash drive for offline data management
- Built-in auxiliary input with enhanced flexibility to link with wired detector or emergency switch
- Up to 15 multi-verification methods to enhance security level
- Standard access control features such as Time zone, Holiday, A&C Group, Unlock combination etc.
- Duress Alarm offers effective protection against duress by threats
- Tamper proof switch and multiple alarm outputs
- Multi-language customizable

# Specifications

Model	SF300
LCD	2.8 inch resistive touch screen
Fingerprint Sensor	ZK Optical Sensor (500DPI)
Algorithm Version	ZKFinger VX10.0
Communication	TCP/IP, RS485, USB Host
Fingerprint Capacity	1,500
Card Capacity (Optional)	5,000 (EM/Mifare)
Records Capacity	80,000
Access Control Interface	Electric lock, Door sensor, Alarm, Exit button, Door Bell
Wiegand Signal	Wiegand input & output
Aux. Input	1ea for linkage function
Power Supply	DC 12V/3A
Operating Temperature	0 ~ 45°C (32°~113°F)
Operating Humidity	20 ~ 80%
Dimension(L x W x H)	105 x 105 x 34mm

## Configuration

## Dimensions (mm)



บริษัท แอดวานซ์ บิซิเนส เทคโนโลยี จำกัด  
 ADVANCE BUSINESS TECHNOLOGY CO.,LTD.  
 106 ซ.พระรามที่ 2 ซอย 42 ถ.พระราม 2 แขวงบางมด เขตจอมทอง กรุงเทพฯ 10150  
 106 Soi Rama II 42, Rama II Rd., Bangmod Jomthong Bangkok 10150

Tel : 0-2898-6470-1

Fax: 0-2898-6471

www.abt.co.th

